

HMT-SERIES MODULAR TORQUE WRENCHES

Spec Sheet

The HMT-Series is a range of fast, durable and efficient modular hydraulic torque wrenches, enabling you to tackle almost any bolting application. Interchange cassettes with ease, switching the HLP low profile hexagon cassette with the HSQ square drive whenever your application demands.

As an added benefit, tools and cassettes are interchangeable with many other well-known brands, allowing you the freedom to use the tools at your disposal whilst reducing the cost of upgrading your legacy torque wrench inventory to high quality Enerpac equipment.

The HMT-Series distinguishes itself through its Modularity, Speed, Durability and Efficiency.

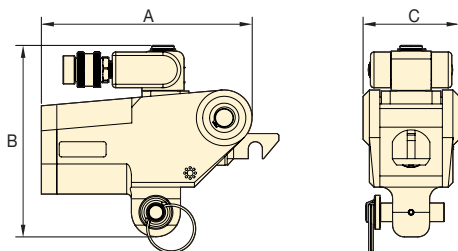
- **Modularity:** Interchangeable components allow you to choose between a low profile hexagon or square drive cassette whenever your application demands. Cassettes are also interchangeable with many other well-known brands
- **Speed:** Best in class efficiency - Up to 25% faster than leading competitors
- **Durability:** up to 2.5x longer life expectancy than other leading tools*
- **Efficiency:** The internals of the tools are designed to be able to interchange but at the same guarantee a higher productivity due to the teeth design and a lower cost of ownership due to efficient design



Other Features and Benefits:

- Lower cost of ownership with 2 tools in 1, the Square Drive and Low Profile Cassette
- Modular parts allow for interchangeability with other well-known brands
- 30° degrees of stroke allowing up to 25% faster bolting than other known brands
- Superior alloys make this tool lightweight and 2.5x longer life expectancy than comparable tools
- Increased durability with the superior surface treatment, extending tool lifespan
- Fine tooth ratchet prevents the tool from locking on, speeding up the bolting process
- Only 3 moving parts which reduces maintenance
- Pinch points reduced as the innovative design encloses all moving parts
- Supplied with an ergonomic safety handle as standard
- A link pin retainer prevents dropped objects
- Push button, quick release, reversible Square Drive
- HSQ reaction arm has a simple dial lock for rapid change
- Square Drive reaction arm that allows the tool body to move away from any obstacles
- ATEX and CE approved
- Accuracy of $\pm 3\%$
- Hex sizes from 1 1/16" to 3 15/16" AF or 26 to 100 mm AF
- Torque range from 1,541 to 7,562 Ft.lbs or 2,089 to 10,252 Nm

Drive Units for Hexagon & Square Drive Cassettes



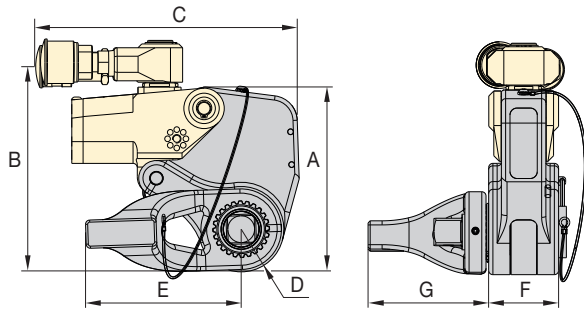
Maximum Torque Output		Drive Unit Model Number	Dimensions (inch)				Dimensions (mm)			(kg)
(Ft.lbs)	(Nm)		A	B	C	(lbs)	A	B	C	
1541	2089	HMT1500	4.3	4.1	2.0	2.20	108	104	50	1,0
3543	4804	HMT3500	5.7	5.2	2.6	3.97	146	132	66	1,8
7562	10.252	HMT7500	7.1	6.4	3.2	7.05	180	163	82	3,2

9782 GB - Enerpac © 08-2020 HMT Series Spec Sheet

HMT-SERIES MODULAR TORQUE WRENCHES

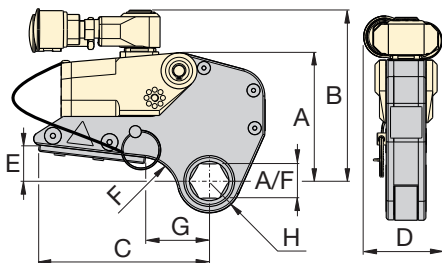
Spec Sheet

HSQ, Square Drive



Maximum Torque Output		Square Drive Size (inch)	Square Drive Cassette Model Number	Dimensions (inch)								(lbs)	Dimensions (mm)							(kg)
(Ft.lbs)	(Nm)			A	B	C	D	E	F	G	A		B	C	D	E	F	G		
1541	2089	3/4	HSQ1500	5.71	6.61	6.85	1.19	2.36	1.95	3.29	8.16	145	168	174	30	60	50	84	3,7	
3543	4804	1	HSQ3500	7.54	8.23	7.95	1.52	3.07	2.58	4.35	13.01	192	209	202	39	78	66	111	5,9	
7562	10.252	1 1/2	HSQ7500	9.60	10.08	9.25	1.99	4.33	3.23	6.32	25.13	244	256	235	51	110	82	161	11,4	

HLP, Hexagon Cassettes - Imperial/Metric Sizes

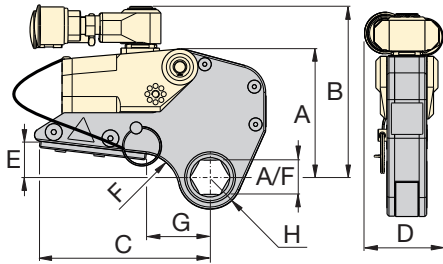


Drive Unit Model Number	Hexagon Size A/F		Hexagon Cassette Model Number	Maximum Torque		Dimensions (inch)								(lbs)	Dimensions (mm)								(kg)
	(inch)	(mm)		(Ft.lbs)	(Nm)	A	B	C	D	E	F	G	H		A	B	C	D	E	F	G	H	
HMT1500	1 1/16	26	HLP1101	1541	2089	4.48	5.32	5.49	1.95	1.13	1.18	2.14	1.00	3.53	114	135	140	49	29	30	54	25	1,6
	1 1/8	-	HLP1102	1541	2089	4.48	5.32	5.49	1.95	1.13	1.18	2.14	1.00	3.53	114	135	140	49	29	30	54	25	1,6
	1 3/16	30	HLP1103	1541	2089	4.48	5.32	5.49	1.95	1.13	1.18	2.14	1.00	3.53	114	135	140	49	29	30	54	25	1,6
	1 1/4	32	HLP1104	1541	2089	4.48	5.32	5.49	1.95	1.13	0.95	2.04	1.08	3.53	114	135	140	49	29	24	52	27	1,6
	1 1/8	33	HLP1105	1541	2089	4.48	5.32	5.49	1.95	1.13	0.95	2.04	1.08	3.53	114	135	140	49	29	24	52	27	1,6
	1 1/8	35	HLP1106	1541	2089	4.48	5.32	5.49	1.95	1.13	0.55	1.85	1.19	3.53	114	135	140	49	29	14	47	30	1,6
	1 7/16	36	HLP1107	1541	2089	4.48	5.32	5.49	1.95	1.13	0.55	1.85	1.19	3.53	114	135	140	49	29	14	47	30	1,6
	1 1/2	38	HLP1108	1541	2089	4.48	5.32	5.49	1.95	1.13	0.55	1.97	1.30	3.53	114	135	140	49	29	14	50	33	1,6
	1 9/16	-	HLP1109	1541	2089	4.48	5.32	5.49	1.95	1.13	0.55	1.97	1.30	3.53	114	135	140	49	29	14	50	33	1,6
	1 5/8	41	HLP1110	1541	2089	4.48	5.32	5.49	1.95	1.13	0.55	1.97	1.30	3.53	114	135	140	49	29	14	50	33	1,6

HMT-SERIES MODULAR TORQUE WRENCHES

Spec Sheet

HLP, Hexagon Cassettes - Imperial/Metric Sizes

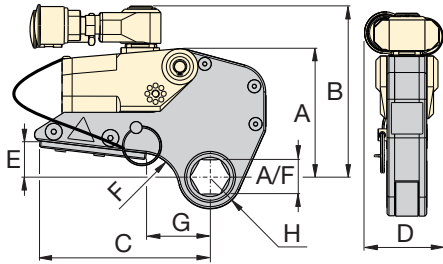


Drive Unit Model Number	Hexagon Size A/F		Hexagon Cassette Model Number	Maximum Torque		Dimensions (inch)												Dimensions (mm)											
	(inch)	(mm)		(Ft.lbs)	(Nm)	A	B	C	D	E	F	G	H	(lbs)	A	B	C	D	E	F	G	H	(kg)						
HMT1500	1 ¹¹ / ₁₆	-	HLP1111	1541	2089	4.48	5.32	5.49	1.95	1.13	0.55	1.97	1.30	3.53	114	135	140	49	29	14	50	33	1,6						
	1 ³ / ₄	-	HLP1112	1541	2089	4.48	5.32	5.49	1.95	1.13	0.55	2.06	1.38	3.53	114	135	140	49	29	14	52	35	1,6						
	1 ¹³ / ₁₆	46	HLP1113	1541	2089	4.48	5.32	5.49	1.95	1.13	0.55	2.06	1.38	3.53	114	135	140	49	29	14	52	35	1,6						
	1 ⁷ / ₈	-	HLP1114	1541	2089	4.48	5.32	5.49	1.95	1.13	0.55	2.21	1.52	3.53	114	135	140	49	29	14	56	39	1,6						
	1 ¹⁵ / ₁₆	-	HLP1115	1541	2089	4.48	5.32	5.49	1.95	1.13	0.55	2.21	1.52	3.53	114	135	140	49	29	14	56	39	1,6						
	2	50	HLP1200	1541	2089	4.48	5.32	5.49	1.95	1.13	0.55	2.21	1.52	3.75	114	135	140	49	29	14	56	39	1,7						
	2 ¹ / ₁₆	-	HLP1201	1541	2089	4.48	5.32	5.49	1.95	1.13	0.55	2.21	1.52	3.75	114	135	140	49	29	14	56	39	1,7						
	2 ¹ / ₈	-	HLP1202	1541	2089	4.48	5.32	5.49	1.95	1.13	0.55	2.34	1.65	3.75	114	135	140	49	29	14	59	42	1,7						
	2 ³ / ₁₆	55	HLP1203	1541	2089	4.48	5.32	5.49	1.95	1.13	0.55	2.34	1.65	3.75	114	135	140	49	29	14	59	42	1,7						
	2 ¹ / ₄	-	HLP1204	1541	2089	4.48	5.32	5.49	1.95	1.13	0.55	2.34	1.65	3.75	114	135	140	49	29	14	59	42	1,7						
	2 ⁵ / ₁₆	-	HLP1205	1541	2089	4.48	5.32	5.49	1.95	1.13	0.55	2.34	1.65	3.75	114	135	140	49	29	14	59	42	1,7						
	2 ³ / ₈	60	HLP1206	1541	2089	4.48	5.32	5.49	1.95	1.13	0.55	2.41	1.71	3.75	114	135	140	49	29	14	61	44	1,7						
2 ⁷ / ₁₆	62	HLP1207	1541	2089	4.48	5.32	5.49	1.95	1.13	0.55	2.41	1.71	3.75	114	135	140	49	29	14	61	44	1,7							
HMT3500	1 ⁵ / ₈	35	HLP3106	3543	4804	6.02	6.57	7.48	2.58	1.59	1.89	3.09	1.30	8.60	153	167	190	66	41	48	79	33	3,9						
	1 ⁷ / ₁₆	36	HLP3107	3543	4804	6.02	6.57	7.48	2.58	1.59	1.89	3.09	1.30	8.60	153	167	190	66	41	48	79	33	3,9						
	1 ¹ / ₂	38	HLP3108	3543	4804	6.02	6.57	7.48	2.58	1.59	1.81	3.16	1.42	8.60	153	167	190	66	41	46	80	36	3,9						
	1 ⁹ / ₁₆	-	HLP3109	3543	4804	6.02	6.57	7.48	2.58	1.59	1.81	3.16	1.42	8.60	153	167	190	66	41	46	80	36	3,9						
	1 ⁵ / ₈	41	HLP3110	3543	4804	6.02	6.57	7.48	2.58	1.59	1.81	3.16	1.42	8.60	153	167	190	66	41	46	80	36	3,9						
	1 ¹¹ / ₁₆	-	HLP3111	3543	4804	6.02	6.57	7.48	2.58	1.59	1.81	3.16	1.42	8.60	153	167	190	66	41	46	80	36	3,9						
	1 ³ / ₄	-	HLP3112	3543	4804	6.02	6.57	7.48	2.58	1.59	1.58	3.08	1.52	8.60	153	167	190	66	41	40	78	39	3,9						
	1 ¹³ / ₁₆	46	HLP3113	3543	4804	6.02	6.57	7.48	2.58	1.59	1.58	3.08	1.52	8.60	153	167	190	66	41	40	78	39	3,9						
	1 ⁷ / ₈	-	HLP3114	3543	4804	6.02	6.57	7.48	2.58	1.59	1.42	3.05	1.63	8.60	153	167	190	66	41	36	77	41	3,9						
	1 ¹⁵ / ₁₆	-	HLP3115	3543	4804	6.02	6.57	7.48	2.58	1.59	1.42	3.05	1.63	8.60	153	167	190	66	41	36	77	41	3,9						
	2	50	HLP3200	3543	4804	6.02	6.57	7.48	2.58	1.59	1.42	3.05	1.63	8.60	153	167	190	66	41	36	77	41	3,9						
	2 ¹ / ₁₆	-	HLP3201	3543	4804	6.02	6.57	7.48	2.58	1.59	1.42	3.05	1.63	8.82	153	167	190	66	41	36	77	41	4,0						
2 ¹ / ₈	-	HLP3202	3543	4804	6.02	6.57	7.48	2.58	1.59	1.18	2.97	1.74	8.82	153	167	190	66	41	30	75	44	4,0							

HMT-SERIES MODULAR TORQUE WRENCHES

Spec Sheet

HLP, Hexagon Cassettes - Imperial/Metric Sizes

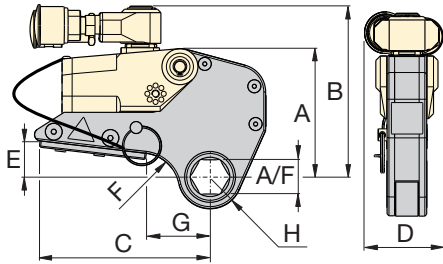


Drive Unit Model Number	Hexagon Size A/F		Hexagon Cassette Model Number	Maximum Torque		Dimensions (inch)								Dimensions (mm)									
	(inch)	(mm)		(Ft.lbs)	(Nm)	A	B	C	D	E	F	G	H	(lbs)	A	B	C	D	E	F	G	H	(kg)
HMT3500	2 ³ / ₁₆	55	HLP3203	3543	4804	6.02	6.57	7.48	2.58	1.59	1.18	2.97	1.74	8.82	153	167	190	66	41	30	75	44	4,0
	2 ¹ / ₄	-	HLP3204	3543	4804	6.02	6.57	7.48	2.58	1.59	1.18	2.97	1.74	8.82	153	167	190	66	41	30	75	44	4,0
	2 ⁵ / ₁₆	-	HLP3205	3543	4804	6.02	6.57	7.48	2.58	1.59	0.63	2.68	1.85	9.04	153	167	190	66	41	16	68	47	4,1
	2 ³ / ₈	60	HLP3206	3543	4804	6.02	6.57	7.48	2.58	1.59	0.63	2.68	1.85	9.04	153	167	190	66	41	16	68	47	4,1
	2 ⁷ / ₁₆	62	HLP3207	3543	4804	6.02	6.57	7.48	2.58	1.59	0.63	2.68	1.85	9.04	153	167	190	66	41	16	68	47	4,1
	2 ¹ / ₂	63	HLP3208	3543	4804	6.02	6.57	7.48	2.58	1.59	0.63	2.74	1.96	9.04	153	167	190	66	41	16	70	50	4,1
	2 ⁹ / ₁₆	65	HLP3209	3543	4804	6.02	6.57	7.48	2.58	1.59	0.63	2.74	1.96	9.04	153	167	190	66	41	16	70	50	4,1
	2 ⁵ / ₈	-	HLP3210	3543	4804	6.02	6.57	7.48	2.58	1.59	0.63	2.84	2.07	9.04	153	167	190	66	41	16	72	53	4,1
	2 ¹ / ₁₆	-	HLP3211	3543	4804	6.02	6.57	7.48	2.58	1.59	0.63	2.84	2.07	9.04	153	167	190	66	41	16	72	53	4,1
	2 ³ / ₄	70	HLP3212	3543	4804	6.02	6.57	7.48	2.58	1.59	0.63	2.84	2.07	9.04	153	167	190	66	41	16	72	53	4,1
	2 ¹ / ₈	-	HLP3213	3543	4804	6.02	6.57	7.48	2.58	1.59	0.63	2.84	2.07	9.04	153	167	190	66	41	16	72	53	4,1
	2 ⁷ / ₈	-	HLP3214	3543	4804	6.02	6.57	7.48	2.58	1.59	0.63	2.84	2.07	9.04	153	167	190	66	41	16	72	53	4,1
	2 ¹ / ₂	75	HLP3215	3543	4804	6.02	6.57	7.48	2.58	1.59	0.63	2.92	2.19	9.04	153	167	190	66	41	16	74	56	4,1
	3	-	HLP3300	3543	4804	6.02	6.57	7.48	2.58	1.59	0.63	2.92	2.19	9.04	153	167	190	66	41	16	74	56	4,1
3 ¹ / ₁₆	-	HLP3301	3543	4804	6.02	6.57	7.48	2.58	1.59	0.63	2.92	2.19	9.04	153	167	190	66	41	16	74	56	4,1	
3 ¹ / ₈	80	HLP3302	3543	4804	6.02	6.57	7.48	2.58	1.59	0.63	2.92	2.19	9.04	153	167	190	66	41	16	74	56	4,1	
HMT7500	2 ³ / ₁₆	55	HLP7203	7562	10252	7.60	8.01	9.26	3.23	1.81	1.65	3.56	1.91	15.65	193	203	235	82	46	42	90	49	7,1
	2 ¹ / ₄	-	HLP7204	7562	10252	7.60	8.01	9.26	3.23	1.81	1.65	3.56	1.91	15.65	193	203	235	82	46	42	90	49	7,1
	2 ⁵ / ₁₆	-	HLP7205	7562	10252	7.60	8.01	9.26	3.23	1.81	1.65	3.56	1.91	15.65	193	203	235	82	46	42	90	49	7,1
	2 ³ / ₈	60	HLP7206	7562	10252	7.60	8.01	9.26	3.23	1.81	1.18	3.26	1.99	15.65	193	203	235	82	46	30	83	51	7,1
	2 ⁷ / ₁₆	62	HLP7207	7562	10252	7.60	8.01	9.26	3.23	1.81	1.18	3.26	1.99	15.65	193	203	235	82	46	30	83	51	7,1
	2 ¹ / ₂	63	HLP7208	7562	10252	7.60	8.01	9.26	3.23	1.81	1.18	3.26	1.99	15.65	193	203	235	82	46	30	83	51	7,1
	2 ⁹ / ₁₆	65	HLP7209	7562	10252	7.60	8.01	9.26	3.23	1.81	0.87	3.09	2.07	15.65	193	203	235	82	46	22	79	53	7,1
	2 ⁵ / ₈	-	HLP7210	7562	10252	7.60	8.01	9.26	3.23	1.81	0.79	3.15	2.19	15.65	193	203	235	82	46	20	80	56	7,1
	2 ¹ / ₁₆	-	HLP7211	7562	10252	7.60	8.01	9.26	3.23	1.81	0.79	3.15	2.19	15.65	193	203	235	82	46	20	80	56	7,1
	2 ³ / ₄	70	HLP7212	7562	10252	7.60	8.01	9.26	3.23	1.81	0.79	3.15	2.19	17.42	193	203	235	82	46	20	80	56	7,9

HMT-SERIES MODULAR TORQUE WRENCHES

Spec Sheet

HLP, Hexagon Cassettes - Imperial/Metric Sizes



Drive Unit Model Number	Hexagon Size A/F		Hexagon Cassette Model Number	Maximum Torque		Dimensions (inch)								Dimensions (mm)									
	(inch)	(mm)		(Ft.lbs)	(Nm)	A	B	C	D	E	F	G	H	(lbs)	A	B	C	D	E	F	G	H	(kg)
HMT7500	2 ¹³ / ₁₆	-	HLP7213	7562	10252	7.60	8.01	9.26	3.23	1.81	0.79	3.15	2.19	17.42	193	203	235	82	46	20	80	56	7,9
	2 ⁷ / ₈	-	HLP7214	7562	10252	7.60	8.01	9.26	3.23	1.81	0.79	3.15	2.19	17.42	193	203	235	82	46	20	80	56	7,9
	2 ¹⁵ / ₁₆	75	HLP7215	7562	10252	7.60	8.01	9.26	3.23	1.81	0.67	3.15	2.26	17.42	193	203	235	82	46	17	80	58	7,9
	3	-	HLP7300	7562	10252	7.60	8.01	9.26	3.23	1.81	0.67	3.27	2.38	17.42	193	203	235	82	46	17	83	61	7,9
	3 ¹ / ₁₆	-	HLP7301	7562	10252	7.60	8.01	9.26	3.23	1.81	0.67	3.27	2.38	17.42	193	203	235	82	46	17	83	61	7,9
	3 ¹ / ₈	80	HLP7302	7562	10252	7.60	8.01	9.26	3.23	1.81	0.67	3.27	2.38	17.42	193	203	235	82	46	17	83	61	7,9
	3 ¹ / ₄	-	HLP7304	7562	10252	7.60	8.01	9.26	3.23	1.81	0.67	3.42	2.52	17.42	193	203	235	82	46	17	87	64	7,9
	-	85	HLP7085M	7562	10252	7.60	8.01	9.26	3.23	1.81	0.67	3.42	2.52	17.42	193	203	235	82	46	17	87	64	7,9
	3 ³ / ₈	-	HLP7306	7562	10252	7.60	8.01	9.26	3.23	1.81	0.67	3.42	2.52	17.42	193	203	235	82	46	17	87	64	7,9
	3 ⁷ / ₁₆	-	HLP7307	7562	10252	7.60	8.01	9.26	3.23	1.81	0.67	3.42	2.52	17.64	193	203	235	82	46	17	87	64	8,0
	3 ¹ / ₂	-	HLP7308	7562	10252	7.60	8.01	9.26	3.23	1.81	0.67	3.54	2.64	17.64	193	203	235	82	46	17	90	67	8,0
	-	90	HLP7090M	7562	10252	7.60	8.01	9.26	3.23	1.81	0.67	3.54	2.64	17.64	193	203	235	82	46	17	90	67	8,0
	3 ⁹ / ₁₆	-	HLP7309	7562	10252	7.60	8.01	9.26	3.23	1.81	0.67	3.69	2.78	17.64	193	203	235	82	46	17	94	71	8,0
	3 ³ / ₄	95	HLP7312	7562	10252	7.60	8.01	9.26	3.23	1.81	0.67	3.79	2.89	18.08	193	203	235	82	46	17	94	71	8.2
	3 ⁷ / ₈	-	HLP7314	7562	10252	7.60	8.01	9.26	3.23	1.81	0.67	3.79	2.89	18.08	193	203	235	82	46	17	96	74	8.2
3 ¹⁵ / ₁₆	100	HLP7315	7562	10252	7.60	8.01	9.26	3.23	1.81	0.67	3.79	2.89	18.08	193	203	235	82	46	17	96	74	8,2	