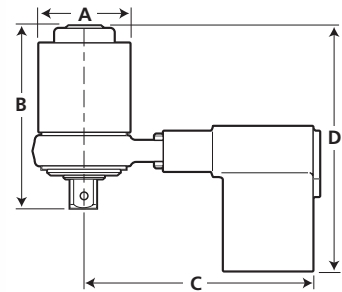


Handtorque™ HT15 Series

- 72mm diameter allows excellent access.
- Guaranteed accuracy of better than $\pm 4\%$.
- Anti Wind-Up Ratchet available on 25:1 models for easier and safer operation.
- A variety of reaction styles are available for maximum versatility.
- Electronic torque transducers can be fitted for precise torque monitoring. See page 74
- Available in a variety of ratios and output square drive sizes.



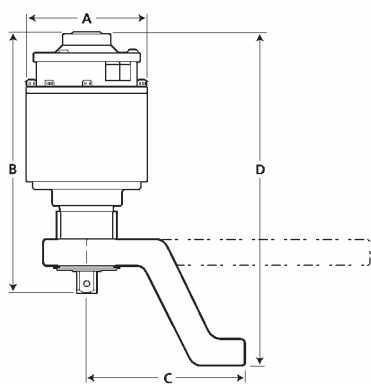
HT15 Series

Model	Part Code	Range		Ratio	Input Square		A	B	C	D	Tool Weight	Reaction Weight
		N.m	lbf.ft		in	in						
15/5	18014	1000	740	5:1	½	¾	72	144	143	175	2.4	1.7
15/5	18015	1500	1100	5:1	½	1	72	144	143	175	2.4	1.7
15/25	18018	1000	740	25:1	½	¾	72	165	143	196	2.7	1.7
15/25	18019	2000	1450	25:1	½	1	72	165	143	196	2.7	1.7
15/25 Fitted with AWUR	18035	1000	740	25:1	½	¾	72	166.3	143	197.3	2.8	1.7
15/25 Fitted with AWUR	18036	2000	1450	25:1	½	1	72	166.3	143	197.3	2.8	1.7

Handtorque™ Small Diameter Series

Handtorque models HT30, 45 and 60 have all the features of the Standard Series, but have a higher torque output for a given gearbox diameter.

- Reduced diameter allows better access, particularly on pipe flanges.
- Reaction taken from high strength spline.
- Reaction foot can slide on the spline to allow for sockets of various lengths (except HT45).
- Anti Wind-Up Ratchet available on all models (except 5:1 ratios), allowing safer and more practical operation.
- HT45 has integral angle protractor for easy torque and angle tightening.



Alternative 350mm long, straight reaction plate; may be modified by customer to suit their applications.

HT30 Part Code 16686
HT45 and HT60 Part Code 16687



Small Diameter Series

Model	Part Code	Range		Ratio	Input Square	Output Square	A	B	C	D min	D max	Tool Weight	Reaction Weight
		N.m	lbf.ft		in	in							
30/5	18003	3000	2200	5:1	¾	1	108	190.4	141	223	251.4	5.0	2
30/15 Fitted with AWUR	18004	3000	2200	15:1	½	1	108	224	141	256	285	7.0	2
30/25 Fitted with AWUR	18006	3000	2200	25:1	½	1	108	224	141	256	285	7.0	2
45/26 Fitted with AWUR	18037	4500	3300	26:1	½	1	108*	224	175	-	318	8.7	4
60/25 Fitted with AWUR	18008	6000	4400	25:1	½	1½	119	271	154	320	351	10.6	4
60/125 Fitted with AWUR	18012	6000	4400	125:1	½	1½	119	301	172	350	381	12.1	4

*Maximum width 140mm.